

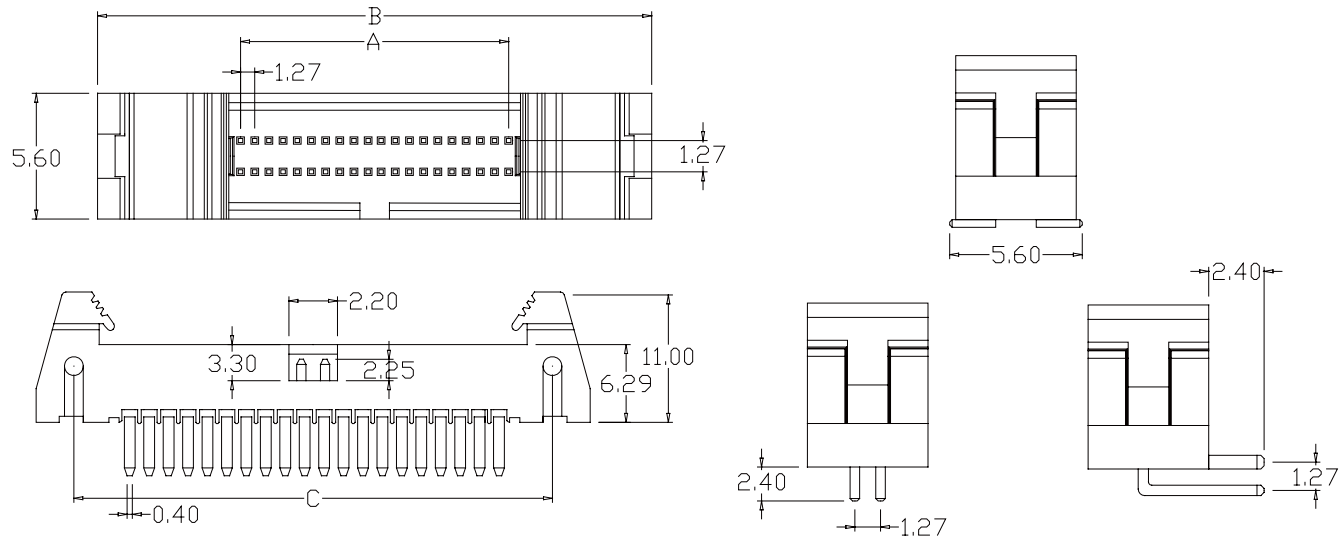
BY	CHK	REVISION RECORD MODIFICATIONS	DATE	REV.
ALLEN		RELEASE TO PRODUCTION	2007,7,31	1.0

**SPECIFICATION**

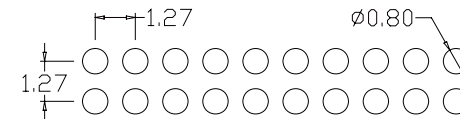
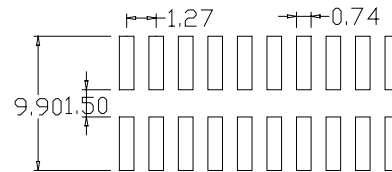
Current Rate: 1 AMP  
 Insulation Resistance: 1000mΩ Min  
 Contact Resistance: 20mΩ Max  
 Dielectric voltage: 500V AC for one minute  
 Operation Temperature: -40°C to +105°C

**MATERIAL**

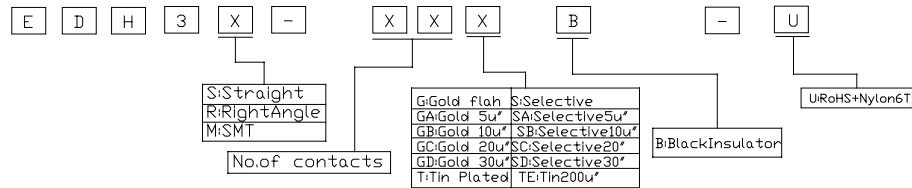
Insulator: Polyester, UL94v-0  
 Standard: Nylon 6T  
 Contact Pin: Brass  
 Finish: Tin, Gold Plated  
 Standard: Gold Flash all over



Contacts	DIMENSION		
	A	B	C
10	5.08	20.85	15.35
14	7.62	23.39	17.89
16	8.89	24.66	19.16
20	11.43	27.20	21.70
26	15.24	31.01	25.51
30	17.78	33.55	28.05
34	20.32	36.09	30.59
40	24.13	39.90	34.40
50	30.48	46.25	40.75
60	36.83	52.60	47.10
64	39.37	55.14	49.64



Recommended PCB Layout  
 (PCB TOLERANCE ±0.05)



APPRO	CHECK	DRAWN	PART NO.	EDH3X-XXXB-U		
			ITEM NO.			
			DRAW NO.			
			UNIT	mm	SCALE	no
			TOLER		NO.	

DESCRIPTION

Tel: 0769 22020068 Fax: 0769 22020069 E-mail: sales@vigortec.com

